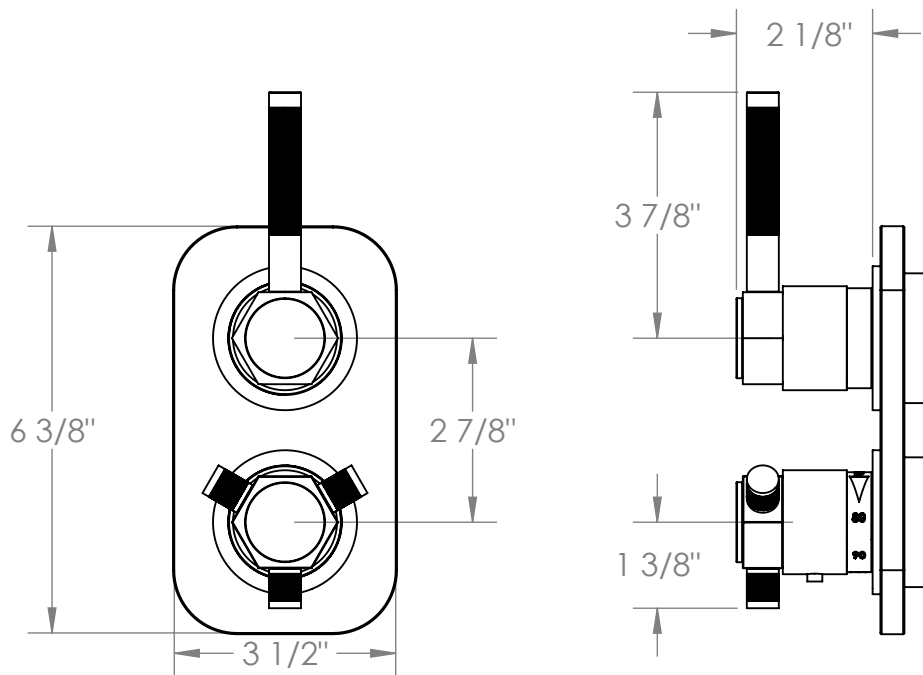
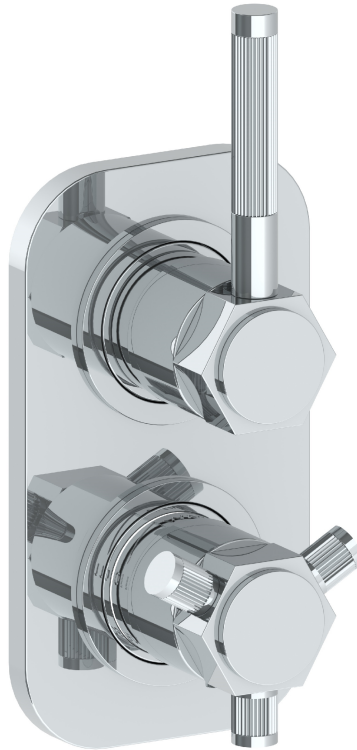


111-T25-SP4

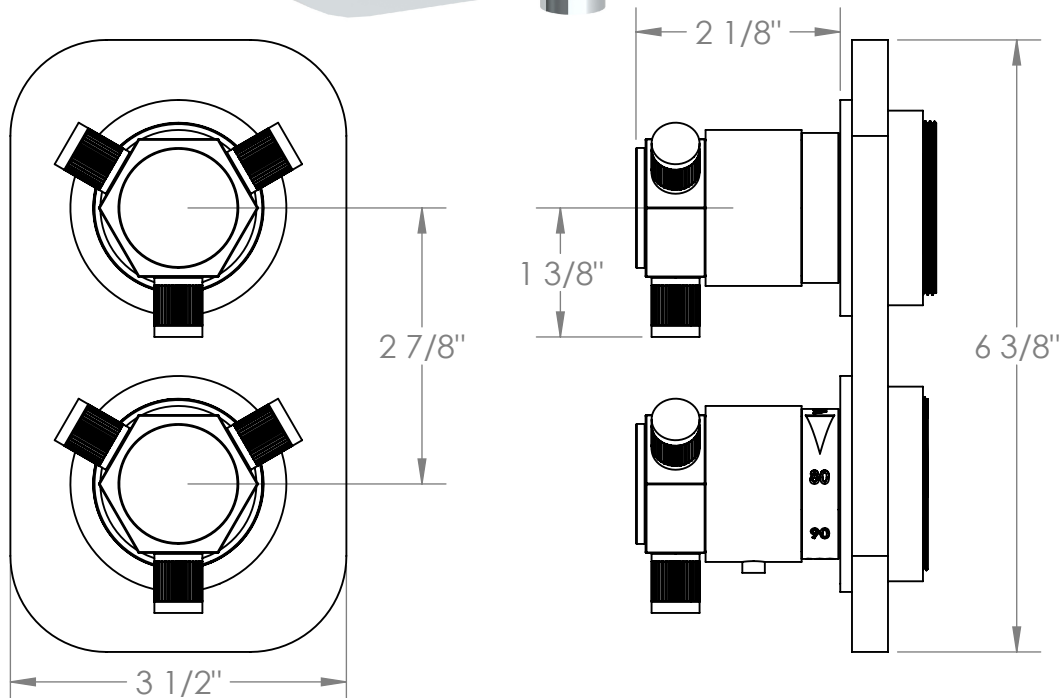
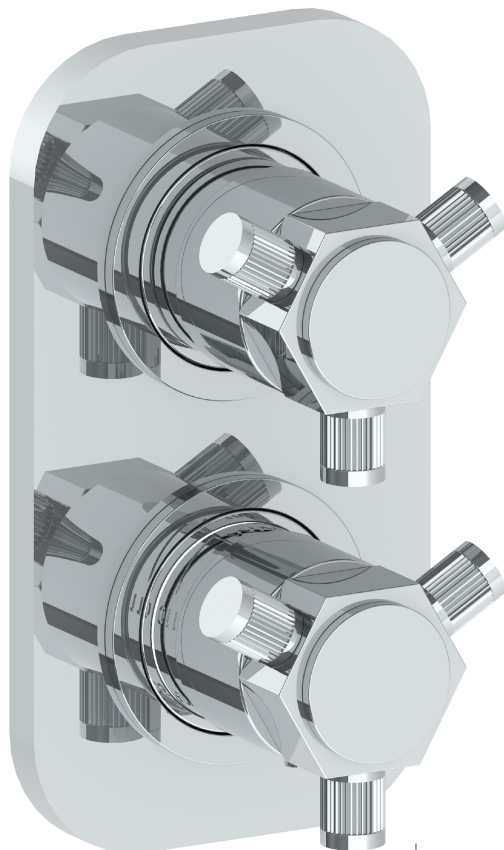
Wall Mounted Mini Thermostatic Shower Trim with built-in control
For use with SS-TH60 or SS-TH70 concealed rough



Meets the applicable requirements of ASME A112.18.1-2005/CSA B125.1-05, entitled "Plumbing Supply Fittings"

111-T25-SP5

Wall Mounted Mini Thermostatic Shower Trim with built-in control
For use with SS-TH60, SS-TH70, or SS-TH80 concealed rough



Meets the applicable requirements of ASME A112.18.1-2005/CSA B125.1-05, entitled "Plumbing Supply Fittings"